

## FIREPLACE KIT SYSTEM FROM BRUNNER



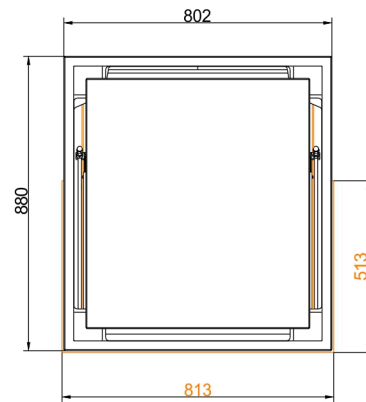
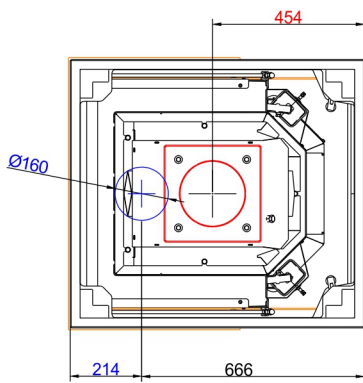
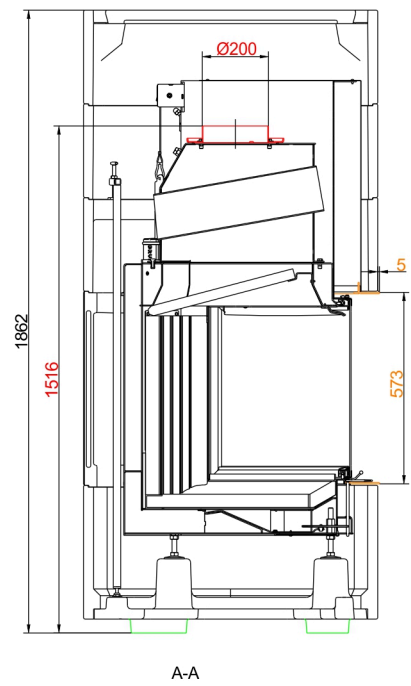
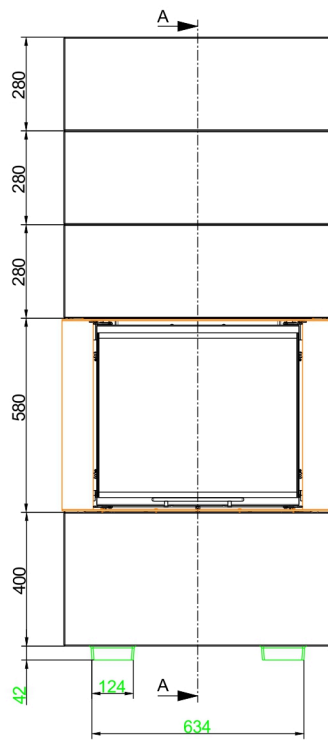
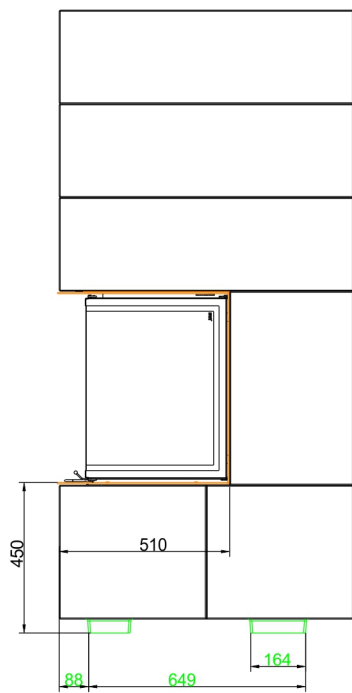
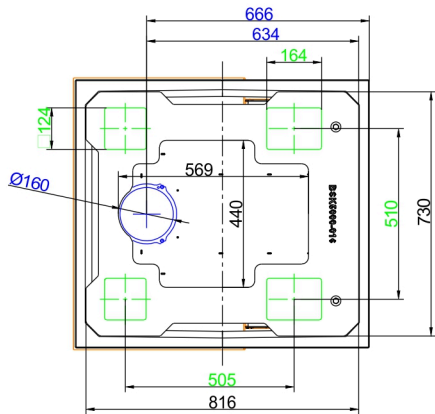
### BSK 05.1 with Panorama-Kamin 57/40/60/40

State: 2023-08-28

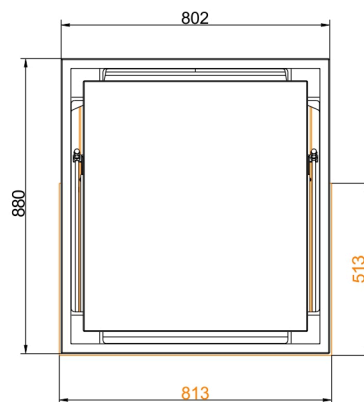
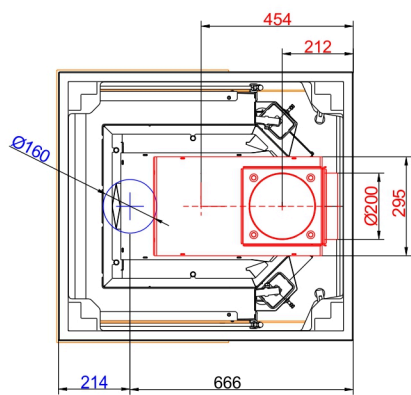
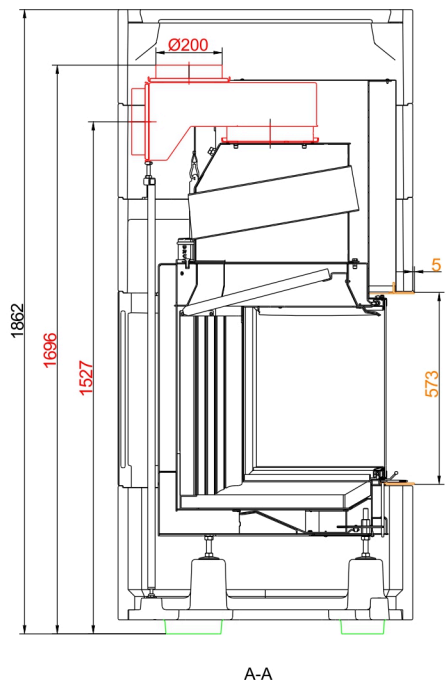
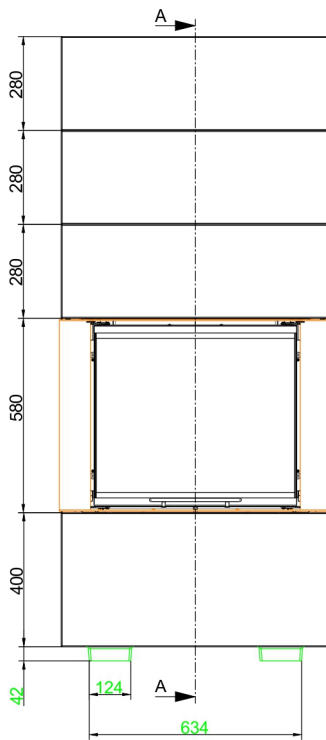
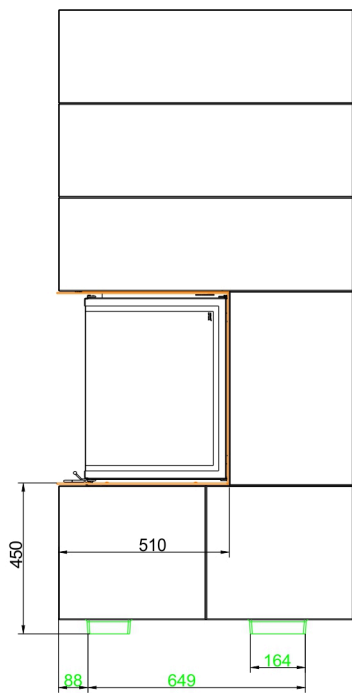
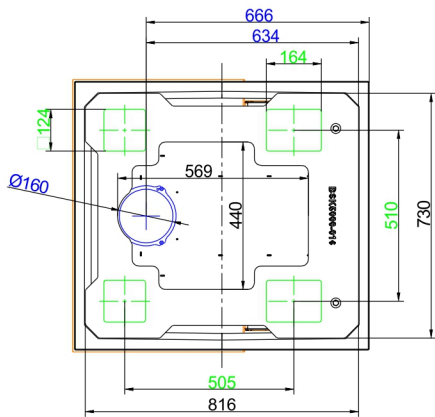


**BRUNNER**<sup>®</sup>  
*made in germany.*

# Dimension sheets - BSK 05.1 with Panorama-Kamin 57/40/60/40



# Dimension sheets - BSK 05.1 with Panorama-Kamin 57/40/60/40



We suggest for CAD planning Palette CAD. Permanent updated drawings: [www.brunner.de](http://www.brunner.de)  
 Frames/ flue gas outlet connection/ combustion air supply connection/ front variants/ support bearing are marked in color.

# Planning and installation - BSK 05.1 with Panorama-Kamin 57/40/60/40

|  |                   |   |
|--|-------------------|---|
| Tested according to                                      |                   | EN 13229  |
| <b>Data</b>  |                   |   |
| Flue outlet nozzle Ø                                     | mm                | 200 <sup>1)</sup>                                       |
| <b>Data for functional demonstration</b>                 |                   |   |
| Rated heat power   | kW                | 13  |
| Fire wood volume   | kg/h              | 4.3   |
| Flue gas mass flow                                       | g/s               | 14  |
| Flue gas temperature                                     | °C                | 210   |
| Necessary supply pressure <sup>2)</sup>                  | Pa                | 12  |
| Combustion air consumption                               | m <sup>3</sup> /h | 40  |
| Combustion air connection Ø                              | mm                | 160   |
| <b>Cladding components <sup>3)</sup></b>                 |                   |   |
| Foot print (W x D)                                       | mm                | 802 x 880   |
| Overall height   | mm                | 1862  |
| Height of extension ring                                 | mm                | 280   |
| Flue gas connection horizontal / vertical                | mm                | 1527 / 1516 <sup>4)</sup>                               |
| <b>Minimal distances</b>                                 |                   |   |
| to mounting wall   | cm                | 5   |
| to mounting wall with heat protection panels             | cm                | 0   |
| to combustible mounting wall                             | cm                | 10  |
| to combustible mounting wall with heat protection panels | cm                | 5   |
| from top of fireplace to ceiling                         | cm                | 50  |
| <b>Cross-section of gratings <sup>5)</sup></b>           |                   |   |
| Convection air   | cm <sup>2</sup>   | 985   |
| Supply air   | cm <sup>2</sup>   | 900   |
| <b>Weight</b>  |                   |   |
| Fireplace insert/ casing +plinth                         | kg                | 245 / 341   |
| <b>Meets requirement/limit values for:</b>               |                   |   |
| Germany/ Austria / Switzerland / Norway                  |                   | 1.BImSchV (Stufe 2) / 15a<br>BVG (2015) / LRV / NS 3059 |

- 1) Flue outlet nozzle made as spare connecting piece: D= 180mm, 200mm or 250mm
- 2) Damper flap recommended
- 3) Quality features of the cladding components in concrete look (fair-faced concrete class 2-3)

#### **Dimensional tolerances of the casting mold parts**

Straightness: +/- 2 mm/m  
 Length/width/thickness: +/- 2 mm  
 Squareness: +/- 2 mm  
 Flatness: +/- 2,5 mm

#### **Surface to visible side**

Textur: closed and largely uniform; repair areas with color changes and hairline cracks permissible.  
 Porosity: max. three holes with diameter <10 mm and depth <10 mm (reference area 100x100 mm).  
 Colour shade: uniform, large-area light/dark discolouration and cement haze permissible; no rust and dirt spots as well as different bulk layers.

**Note:** deviations in color tone (e.g. extension rings) can be adjusted by applying a glaze-like paint (our recommendation: DecoLasur Matt tinted in the colour shade Schiefer16, Caparol).

With the BRUNNER revision set (Art. No. 900300), touch-up work can be carried out on the cladding components.

- 4) with accessories "flue gas adapter for horizontal / vertical connection with spare connecting piece D=180 mm" (Art.-Nr. I009168)
- 5) Existing convection air openings. If the construction differs from the supplied system kit (e.g. construction up to the ceiling or closed construction), the information in the data sheet is decisive for carrying out the cross section of the convection air openings.